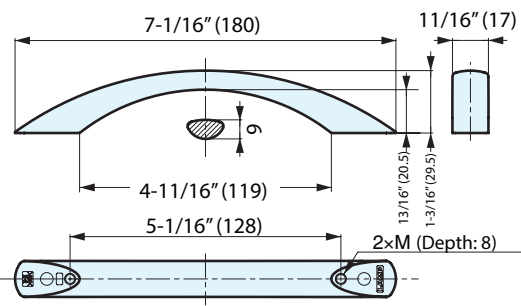


LARGE HANDLE

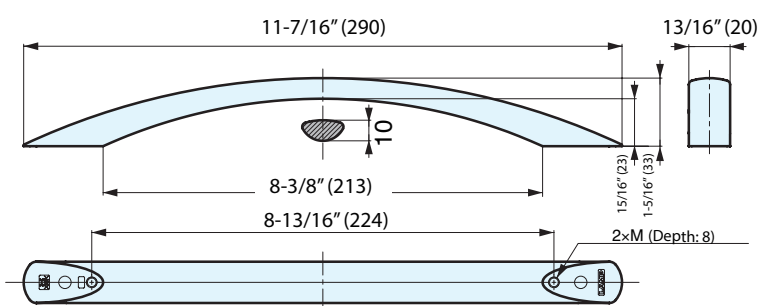


SRH

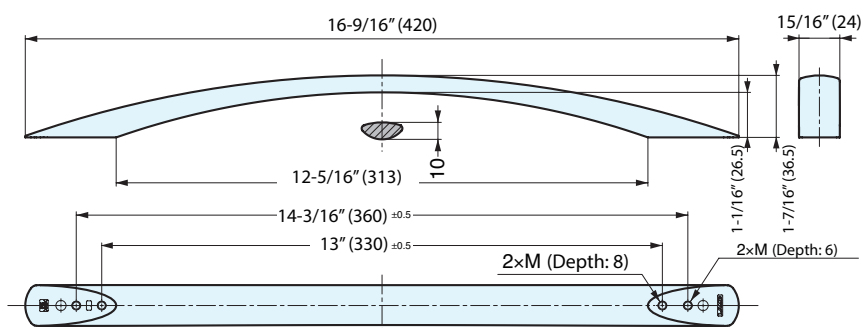
- Silver ion coated handle, ideal for medical and food equipment.
- Sleek, curved design with low profile.
- Available in three sizes and two colors to suit application requirements.



SRH-128



SRH-224



SRH-330

Material	Finish/Color
Aluminum	Anodized (S)/Black (BL)

Item No.	L	L ₁	C	H	Weight (g)	Box (pcs)	Carton (pcs)
SRH-128SL-M4	7-1/16" (180)	119	5-1/16" (128)	1-3/16" (29.5)	68	10	80
SRH-128SL-M5							
SRH-224SL-M4	11-7/16" (290)	213	8-13/16" (224)	1-5/16" (33)	130		
SRH-224SL-M5							
SRH-330SL-M4	16-9/16" (420)	313	14-3/16" (360)	1-7/16" (36.5)	233	40	
SRH-330SL-M5							