

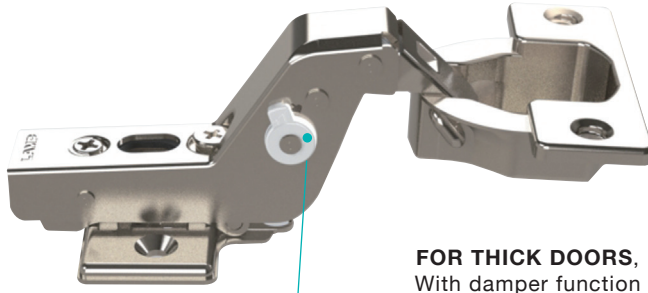
THICK DOOR CONCEALED HINGE WITH ADJUSTABLE SOFT-CLOSE



H360-26/C26/D26

HINGES

(Inset)



5-speed damper power adjustment lever

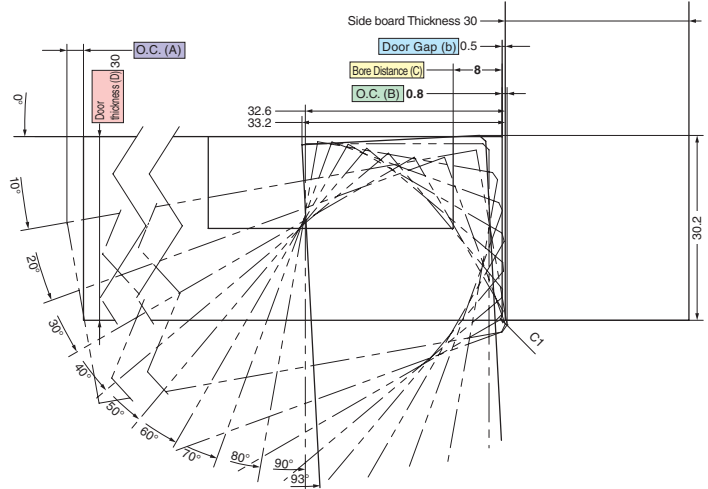
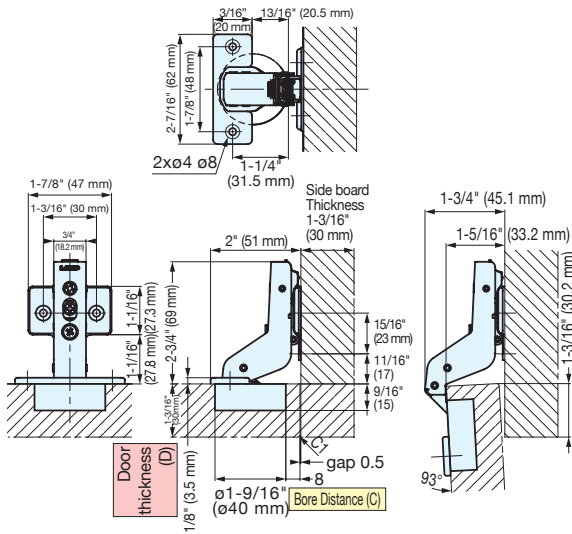
FOR THICK DOORS,
With damper function
(5 levels), 100° opening

- Featuring 5-speed adjustable damper.
- Load capacity: 9 kg (19.8 lbs)/2 pcs, 15 kg (33 lbs)/3 pcs.
- Maximum door width: 600 mm (23-5/8").
- Maximum door thickness: 30 mm (1-3/16").
- Clip on type for easy installation.
- 3-way adjustment with door installed.
- Mounting plate sold separately.
- Successfully passed 200,000 cycles test.



Installation drawing

Locus chart S=1/1



Drawings show a hinge, face plate and 360-P4W-30T mounting plate (sold separately).

Opening Clearance (O.C.)

Clearances for door edge O.C. (A) and hinge side O.C. (B) are necessary. O.C. (A) and (B) change depending on door thickness and bore distance (C). Refer to locus chart and tables below when designing cabinets.

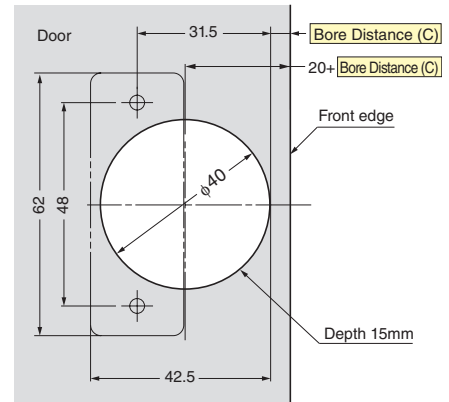
Opening clearance (B), door thickness (D) and bore distance (C) relationship

Door Thickness (D)	Bore Distance (C)						
	3	4	5	6	7	8	
18	0	0	0	0	0	0	
20	0	0	0	0	0	0	
22	0	0	0	0	0	0	
24	0.1	0.1	0.1	0.1	0.1	0.1	
26	0.3	0.3	0.3	0.3	0.3	0.3	
28	1.7	0.7	0.5	0.5	0.5	0.5	
30	3.9	2.9	2.0	1.4	0.8	0.8	
32*	5.9	4.9	3.9	3.3	2.6	2.1	
34*	8.1	7.1	6.1	5.1	4.5	3.9	

O.C. (B)

* The table above shows O.C. (B) for C1 chamfering (chamfer plane).
* Please refer to the locus chart if door thickness is over 30mm. O.C. (B) can be made smaller by R chamfering (round chamfer) and C chamfering (chamfer plane) on the door.

Cut out dimensions (wooden doors)



THICK DOOR CONCEALED HINGE WITH ADJUSTABLE SOFT-CLOSE (INSET)

Item No	Opening angle	Type	Material	Finish	Carton
H360-D26-0T	93°	Soft close (5 levels)	Steel	Nickel	100pcs
H360-26-0T		Free swinging			
H360-C26-0T		Self-closing			