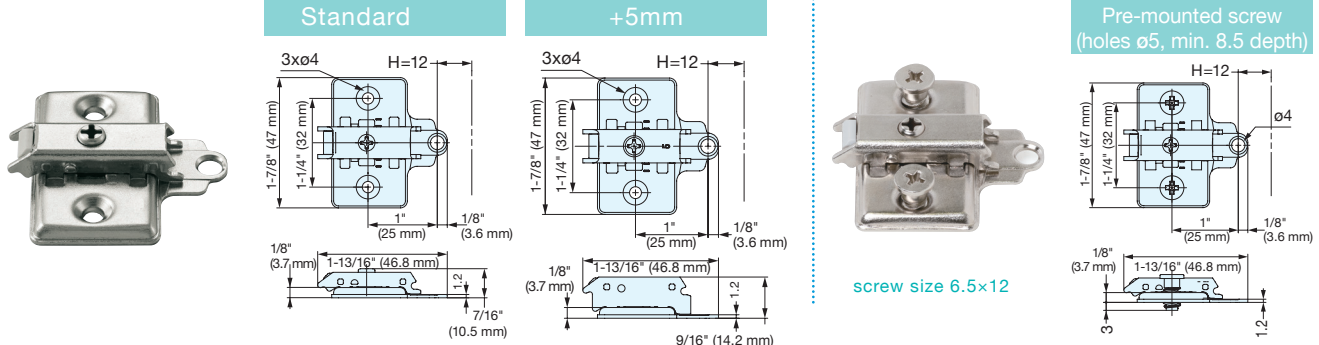


MOUNTING PLATES



360-P4W-32T



- Value of H for inset installation is "door thickness + 17 mm".
- When using with the GH-360FP, value of H is "door thickness + 19 mm"

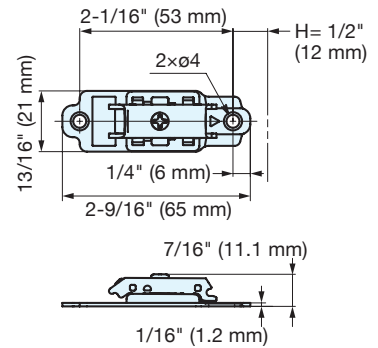
Item No	Type	Height Adjust	Material	Finish	Carton
360-P4W-32T	Standard	±2.5mm	Steel	Nickel	400pcs
360-P4W-32T+5	+5mm				
360-P4W-32T-DS	Pre-mounted screw				

MOUNTING PLATE (STRAIGHT TYPE)

360-P3W-53T



- The slim design gives a sleek look.
- When used with two H360 hinges, door specs should be:
 Door width Max 17-3/4" 450 mm
 Door weight Max 15.4 lb (7 kg)

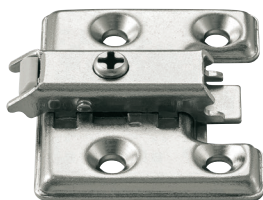


Item No.	Material	Finish	Weight (g)
360-P3W-53T	Steel	Nickel Plating	20

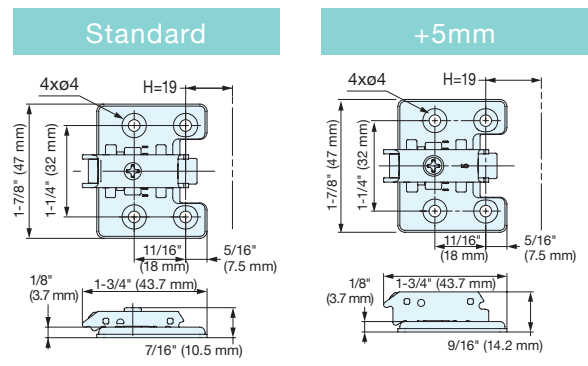
MOUNTING PLATES 4 HOLES



360-P6WT



- For the standard and +5mm types:
- Value of H for inset installation is "door thickness + 24 mm".
 - When using with the GH-360FP, value of H is "door thickness + 26 mm"
- For the +7.5mm type:
- Value of H for inset installation is "door thickness + 16.5 mm".
 - When using with the GH-360FP, value of H is "door thickness + 18.5 mm".



Item No	Type	Height Adjust	Material	Finish	Carton
360-P6WT	Standard	±2.5mm	Steel	Nickel	400pcs
360-P6WT+5	+5mm				