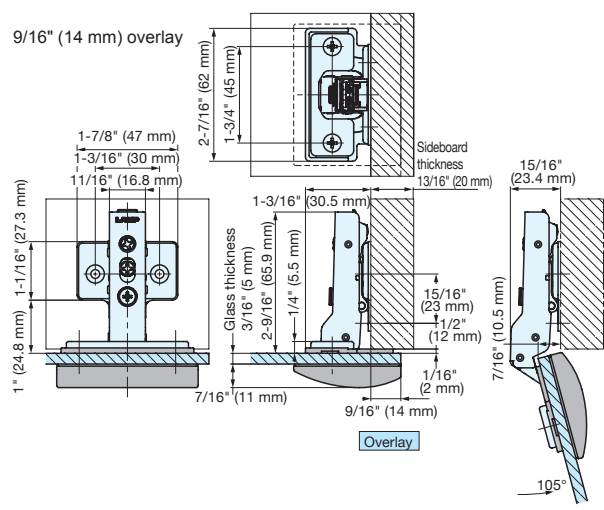
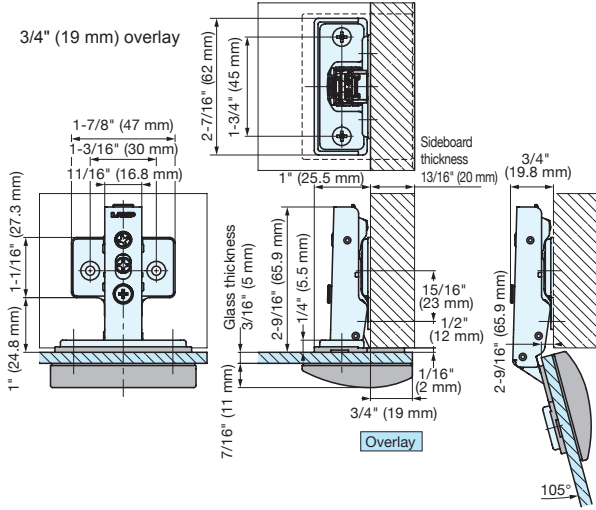
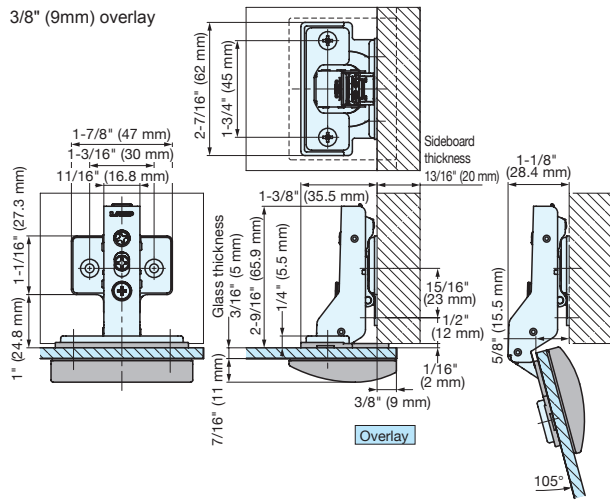


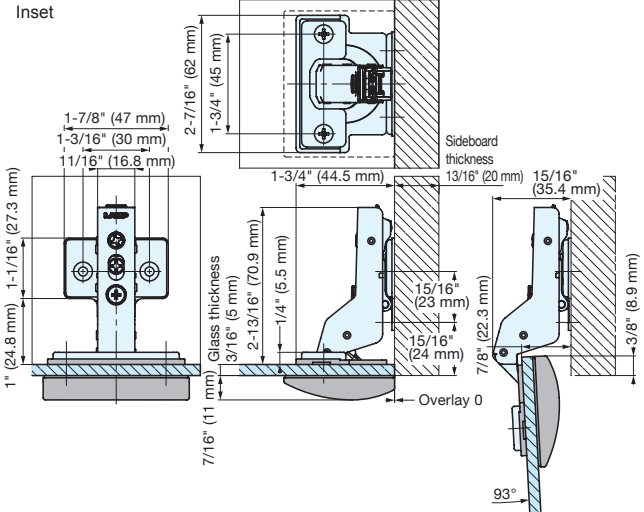
Installation drawing



3/8" (9mm) overlay



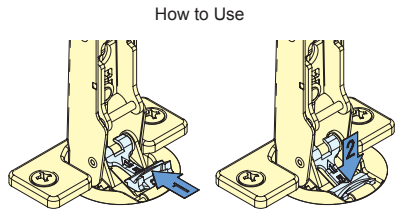
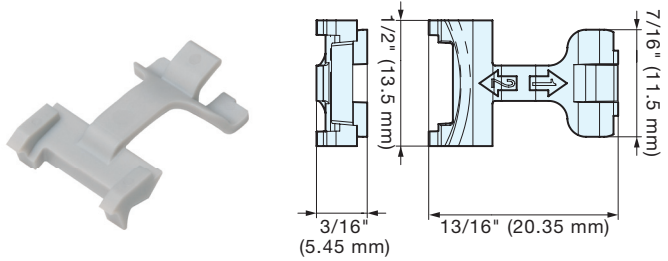
Inset



Drawings show a hinge, face plate and 360-P4W-30T mounting plate (sold separately).

85° ANGLE LIMITER

360-85



• Can be retrofitted to a 105° opening Olympia hinge (standard door) to limit the opening angle to 85°.

INSTALLATION JIG

360-JIG



• For easy installation and alignment of the Olympia hinge mounting plate.
• Cannot be used in combination with 360-P6W32-32T and pre-mounted screw mounting plates.

