

HORIZONTAL BI-FOLDING DOOR MECHANISM

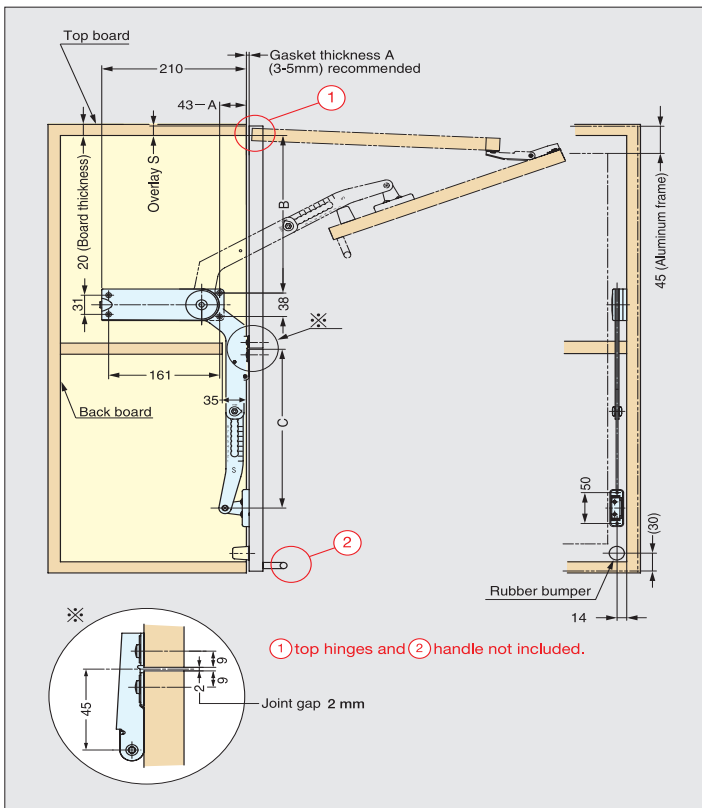
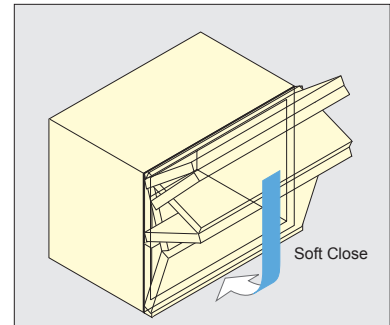


HBFN



- Unique new bi-fold door mechanism will assist in opening and closing doors in a smooth motion.
- No tracks or guides required.
- Handle position can be at the bottom of the door.
- Arm length adjustable for various door sizes.
- Patented LAPCON technology provides smooth and quiet motion.
- Recommended Door Size and Weight):
Width, 450~900 mm (17-23/32"~35-7/16")
Height, 320~370 mm (12-19/32"~14-9/16")/each door
Weight, 2.5~5.5 kg (5.5~12.1 lbs)/each door

Material	Finish
Steel	Nickel
Plastic	Light Grey



S = Overlay (Top Board)

Type	Door Height (mm)	Opening Angle 90°			Opening Angle 105°		
		Arm Position	B	C	Arm Position	B	C
M	320	1	247-S	241	4	226-S	244
	330	2	252-S	244	5	234-S	250
	340	3	258-S	248	6	243-S	257
	350	4	263-S	251	7	251-S	263
	360	5	269-S	255	8	259-S	269
	370	6	274-S	258	9	267-S	275

Item No	Door Height / door (mm)	Door Weight (kg/door)	Box (set)	Carton (set)
HBFN-2M	320~370 (12-19/32"~14-9/16")	2.5~3.5 (5.5~7.7 lbs)	10	100
HBFN-3M		3.6~4.5 (7.9~9.9 lbs)		
HBFN-4M		4.6~5.5 (9.9~12.1 lbs)		

Material	Finish
Steel	Nickel
Plastic	Light Grey