

HEIGHT ADJUSTABLE LOCKING POLE W/ LIFT-ASSIST



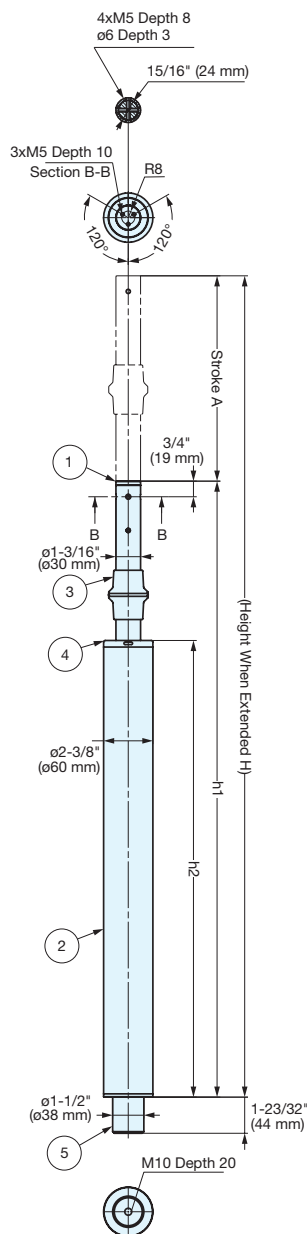
FLL30

ADJUSTABLE POLES

HEIGHT ADJUSTABLE LOCKING POLE



- Innovative locking mechanism that locks pole into position simply by releasing your grip.
- Prevents undesired movement in any direction.
- Designed for single-handed operation in upward or downward direction.
- Features a lift-assist function that utilizes a coil spring to facilitate light lifting. Lift-Assist power is approximately 22 lbs (10 kg)
- Available in 2 lengths.
- Top and bottom mounting points
 Top: M8 Female thread with 12 mm depth.
 Base: Single M10 Female thread with 20 mm depth.



Mounting Section (Top)



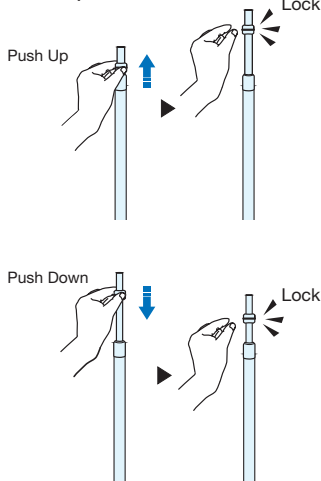
Mounting Section (Bottom)



Application Example



How To Operate



No.	Part Name	Material	Finish
①	Inner Pipe	Aluminum Alloy	Silver Anodizing
②	Outer Pipe		
③	Unlocking Grip	PBT Resin	Light Grey
④	Bush		
⑤	Fixed Shaft	Steel	Chromate (Trivalent)

Item No.	Stroke A	H	h1	h2	Load Capacity	Weight (g)
FLL30-750A-SL	9-27/32" (250 mm)	39-3/8" (1000 mm)	29-17/32" (750 mm)	21-7/8" (556 mm)	44 lbs (20 kg)	3500
FLL30-1000A-SL	13-25/32" (350 mm)	53-5/32" (1350 mm)	39-3/8" (1000 mm)	31-23/32" (625 mm)		4500