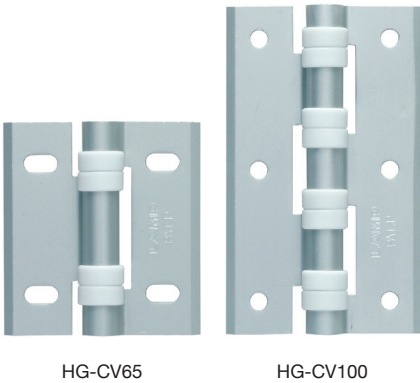


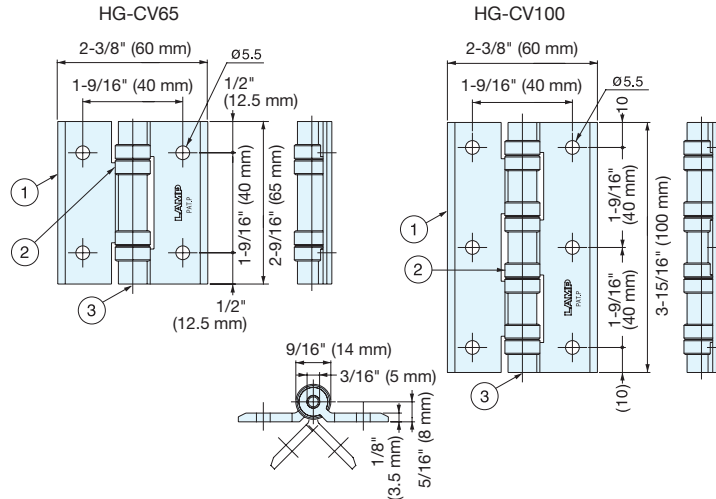
# CLEAN ROOM HINGE (W/BUSHING)



## HG-CV



- No metal-to-metal contact.
- Polyacetal bushings minimize particles.
- Ideal for cleanroom application.
- Door weight:  
HG-CV-65 Max. 17.6 lbs/pair (8 kg/pair)  
HG-CV-100 Max. 28.6 lbs/pair (13 kg/pair)
- Door size: Max. W 23-5/8" x H 27-9/16" (W 600 mm x H 700 mm)



Item No.	Weight (g)	Box (pcs)	Carton (pcs)
HG-CV65	60	20	240
HG-CV100	100		160

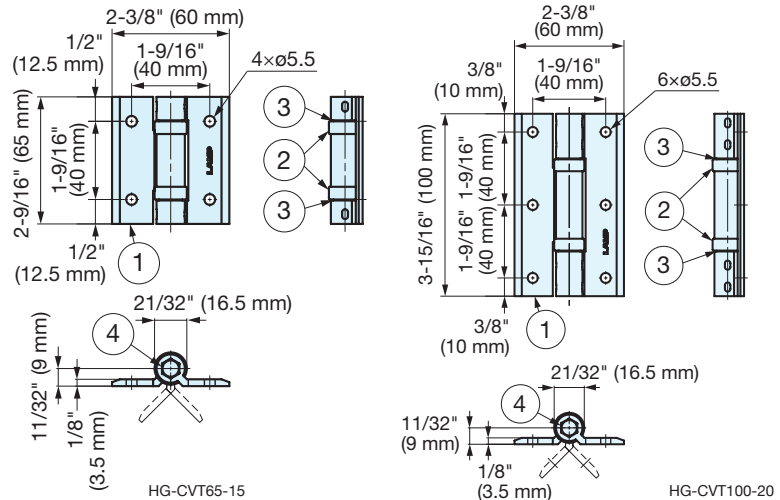
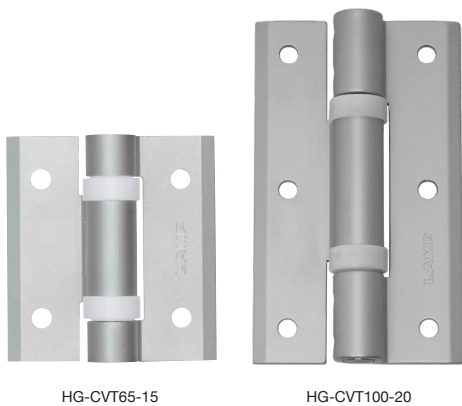
No.	Part Name	Material	Finish
①	Body	Aluminum	Anodized
②	Bushing	Polyacetal	White
③	Hinge Pin	303 Stainless Steel	-

# CLEAN ROOM TORQUE HINGE



## HG-CVT

- Holds the door at any angle.
- Plastic caps prevent metal-to-metal friction and metal powder scattering.
- Ideal for cleanroom application.
- Can be used horizontally or vertically.



Item No.	Torque per piece	Weight (g)	Box (pcs)	Carton (pcs)
HG-CVT65-15	13.2 <sup>+30%</sup> lb·in (15.3 <sup>+30%</sup> kgf·cm)	62	20	80
HG-CVT100-20	17.7 <sup>+25%</sup> lb·in (20.4 <sup>+25%</sup> kgf·cm)	102	15	10

No.	Part Name	Material	Finish
①	Body	Aluminum Alloy	Anodized Silver
②	Cap	POM	Natural
③	Washer	PTFE	White
④	Shaft	303 Stainless Steel	-