

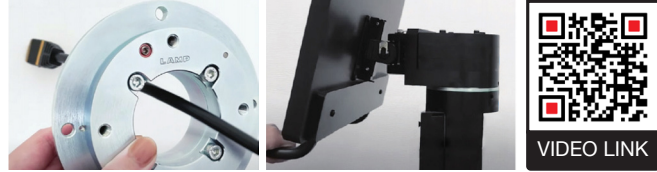
HIGH-RIGIDITY SWIVEL TORQUE HINGE (Unbalanced Load Type)



HG-S-HR50

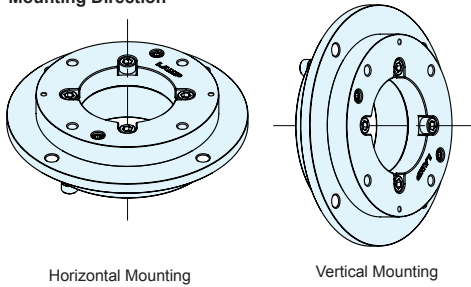


- High rigidity swivel torque hinge supports unbalanced loads in a hanging installation.
- Hinge can be installed vertically or horizontally.
- Can rotate 360° and be held at any angle (free stop).
- If needed, limit the rotation of the hinge with the supplied angle control bolt.
- Center hole for easy cable management (2" opening diameter).
- Durability: 30,000 open/close cycles passed (private test).

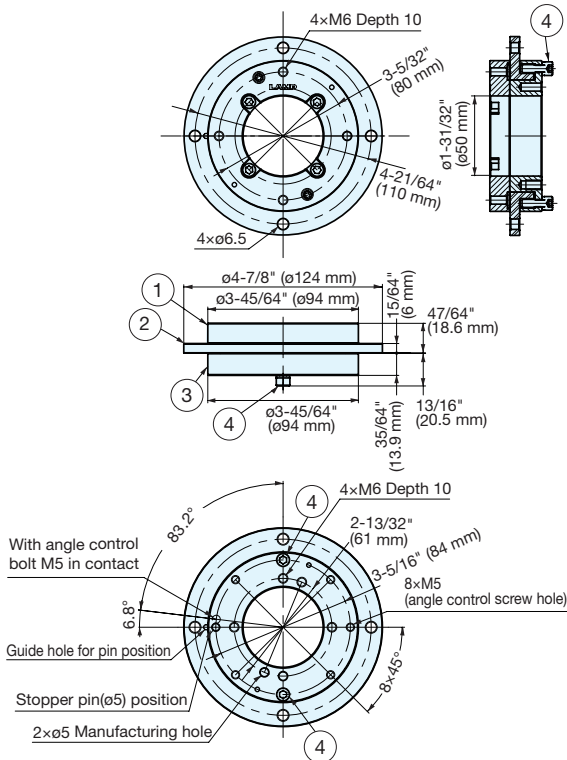
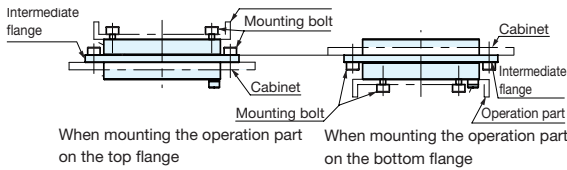


HINGES
SWIVEL TORQUE HINGES

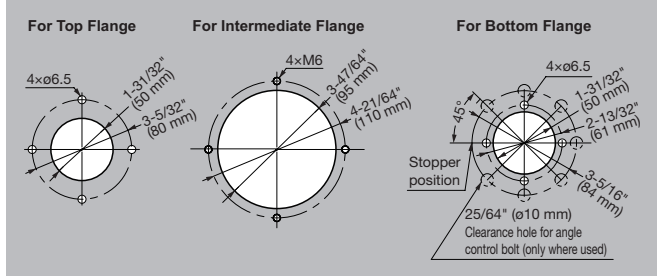
Mounting Direction



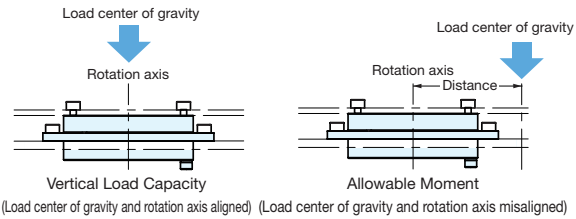
Horizontal Installation Example



Cut Out Dimensions

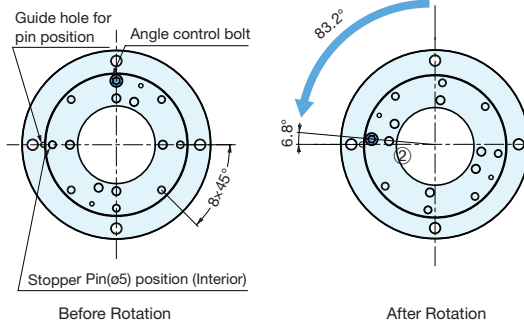


Vertical Load Capacity & Allowable Moment



Rotation Angle Control Function

Rotation angle can be controlled by mounting the supplied angle control bolt.



There are 8 angle control screw holes at 45° intervals; the actual rotation angles are 6.8° narrower because the stopper pins are blocked by bolts.

No.	Part Name	Material	Finish
①	Top Flange	Steel	Clear Zinc Chromate
②	Intermediate Flange		
③	Bottom Flange		
④	Spring Washer Embedded Hexagon Socket Head Cap Screw M5x14	-	-

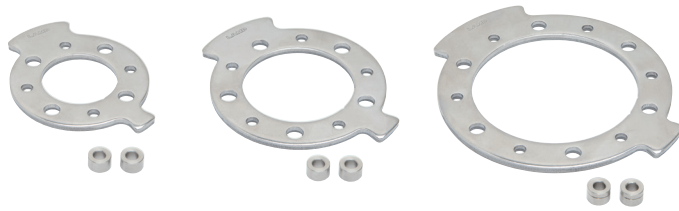
Item No.	Size	Hole Diameter	Torque	Vertical Load Capacity	Allowable Moment	Weight (g)	Box (pcs)	Carton (pcs)
HG-S50-HR50	4-7/8" (124 mm)	1-31/32" (50 mm)	44.26 lbs-in (51.0 ± 20% kgf·cm)	134.9 lbs (61.2 kgf)	708.3 lbs (816 kgf·cm)	1330	5	40
HG-S100-HR50			88.53 lbs-in (102.0 ± 20% kgf·cm)			1320	1	10
HG-S150-HR50			132.8 lbs-in (153.0 ± 20% kgf·cm)			1318	1	10

ANGLE LIMITER PLATE FOR SWIVEL TORQUE HINGE

STAINLESS
430
STEEL

STAINLESS
303
STEEL

HG-S-ARP

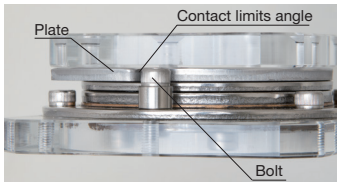


HG-S-34ARP

HG-S-50ARP

HG-S-75ARP

Angle Limit Mechanism



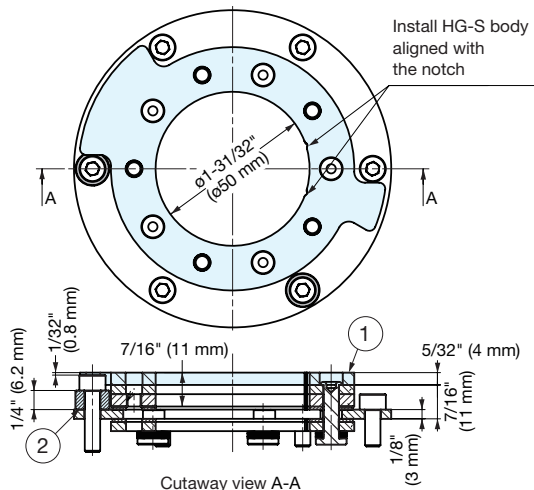
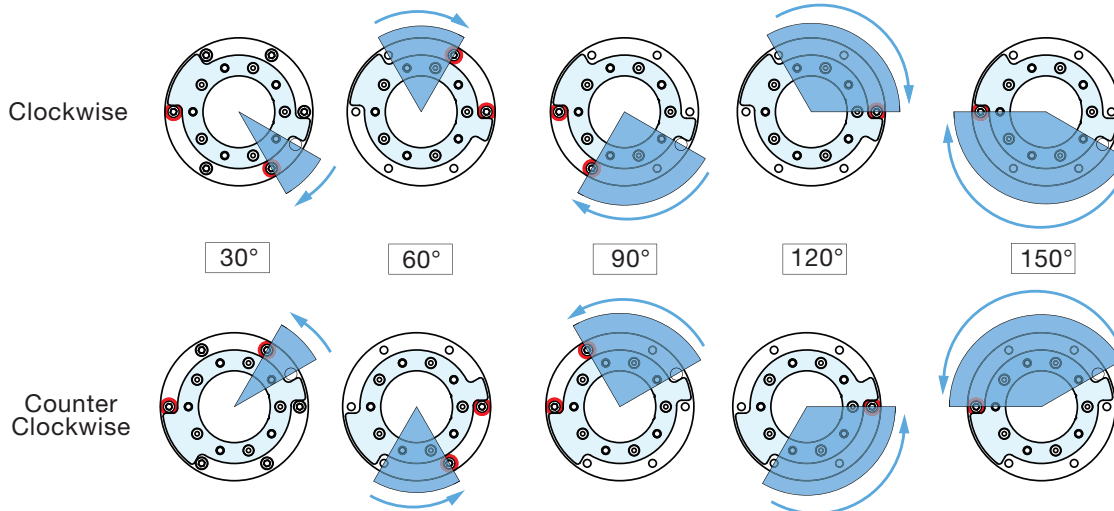
The angle is limited by contact between the stopper co-fastening bolt (to be prepared by the customer) and the plate.

- Plate and stopper form a set to control the swivel angle of HG-S swivel torque hinge series.
- HG-S-34ARP works only with HG-S50-34 and HG-S70-34
- HG-S-50ARP works only with HG-S70-50 and HG-S100-50
- HG-S-75ARP works only with HG-S50-75 and HG-S70-75
- Two swivel directions (clockwise and counterclockwise) and five angles (30°, 60°, 90°, 120°, or 150°).

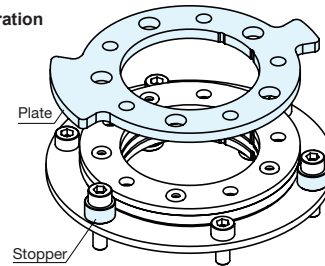


The HG-S-ARP controls the swivel angle. Great for motion control to prevent equipment damage.

Stopper Installation Position, Swivel Direction & Control Angle



Part Configuration



No.	Part Name	Material	Finish
①	Angle Limiter Plate	430 Stainless Steel	Barrel Polished
②	Angle Limiter Stopper	303 Stainless Steel	Plain

Item No.	Corresponding Hinge	Weight (g)
HG-S-34ARP	HG-S-34	77.6
HG-S-50ARP	HG-S-50	99.7
HG-S-75ARP	*HG-S-75	148.5