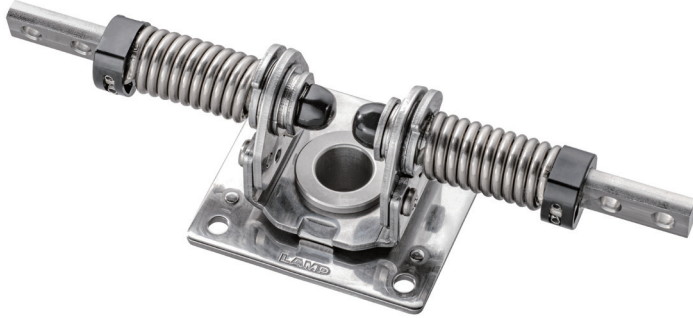


# SPRING-ASSIST TORQUE HINGE (DUAL AXIS)

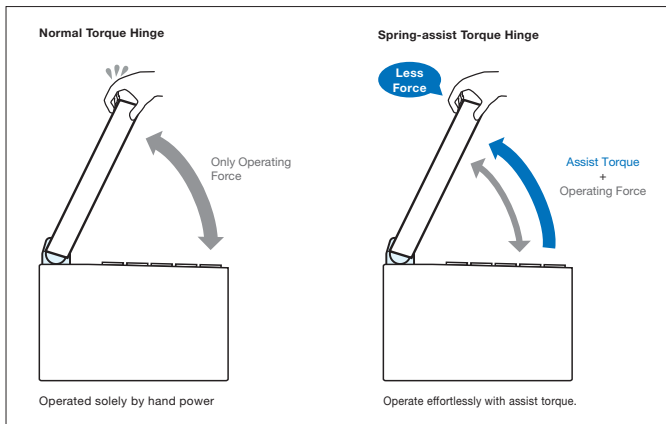


# HG-TAJ40SC20

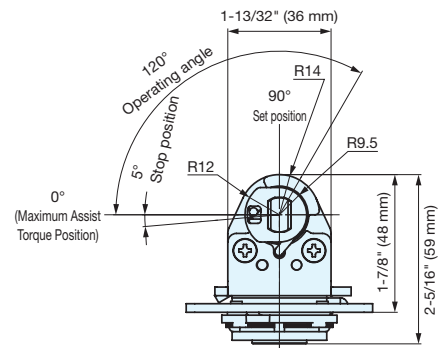
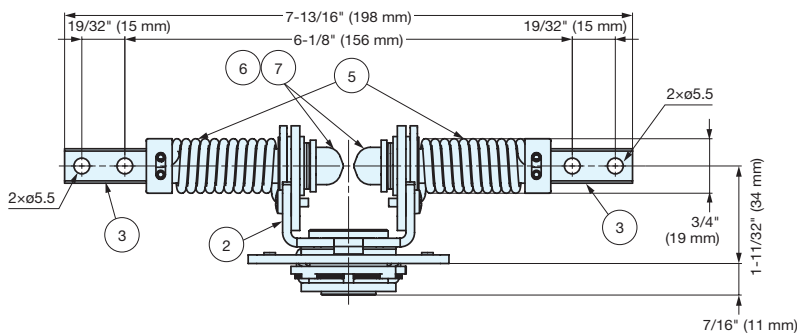
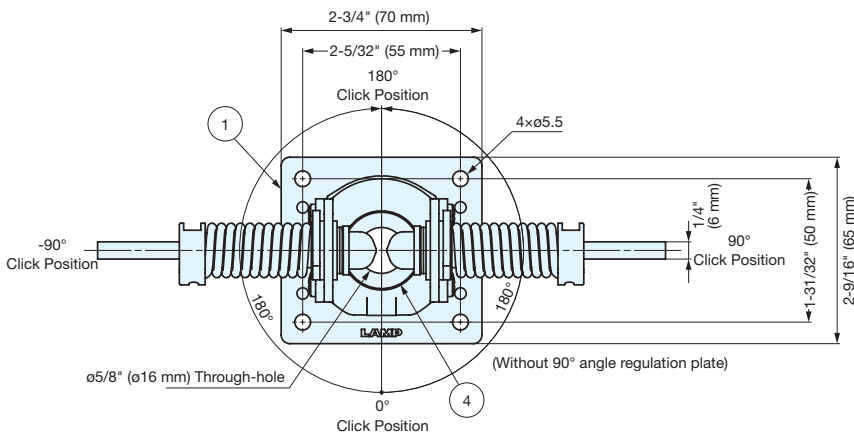
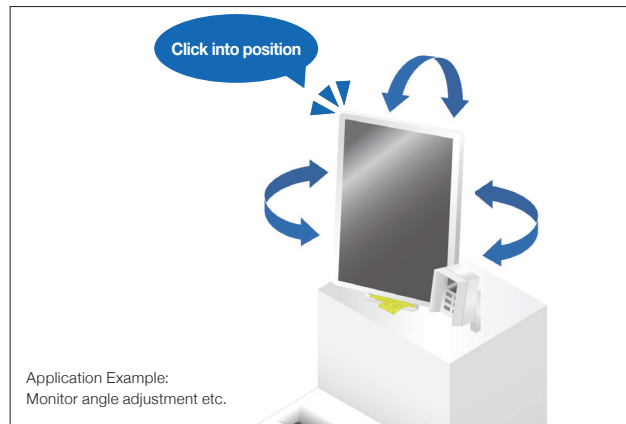


- Position at any angle in both the tilt and swivel direction.
- The tilt direction rotates up to 120°, and the spring-assisted torque makes the upward opening action feel lighter.
- The retaining torque in the tilt direction is adjustable 0 to 35.4 lbs-in (0 to 4 N·m).
- The rotation direction rotates ±180°, and has detents at the 0°, ±90°, and ±180°.
- Limit the rotation angle to ±90° with the optional plate (HG-SC-ST).
- Center hole for cable management.

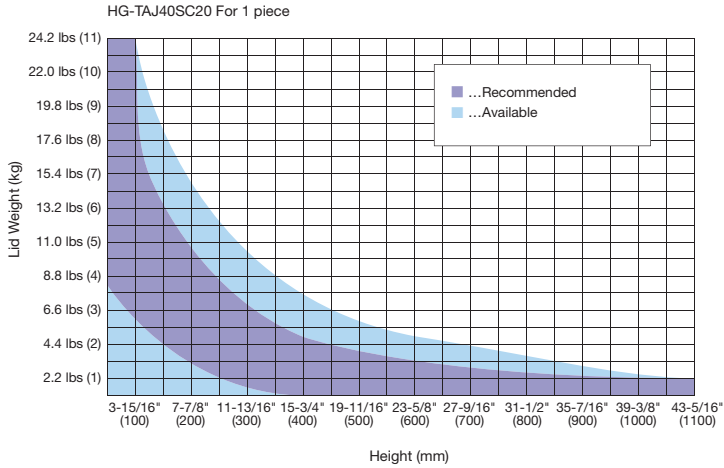
### Tilt Direction (Tilt): Assist Torque



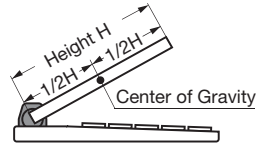
### Rotation Direction (Swivel): Click



**Available Lid Size**



**Hinge Mounting Position**

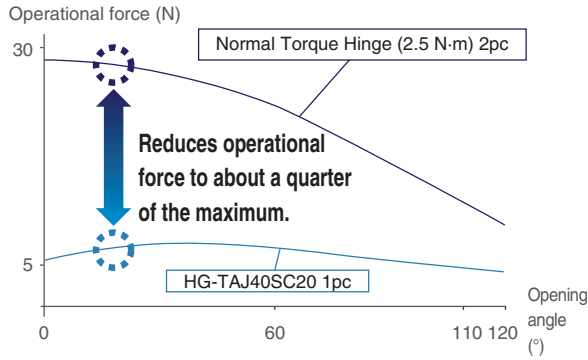


The model selection graph shows an example where the upward opening centre of gravity is in the middle of the height dimension.

**Operating Range**

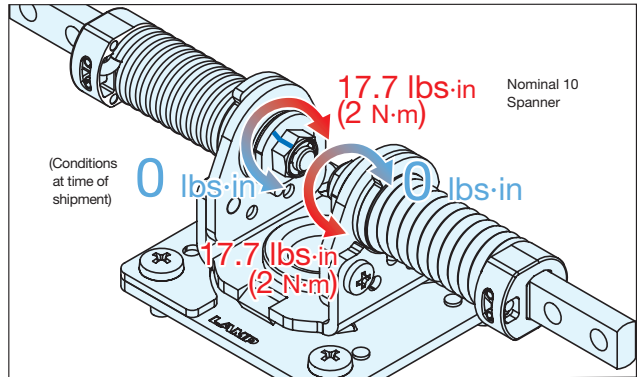
- Free-stop: 0° to 120°
  - Light Operation: 1° to 119°
- Calculation Condition: The centre of gravity is at the centre of the lid.
- \* Spring-assisted lid moment is close to 0 N·m.

**Compare Required Force**



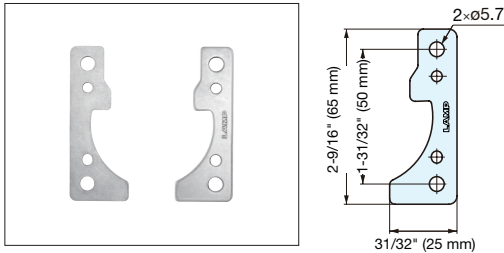
[Conditions] - Height: 11-13/16" (300 mm) - Weight: 5.5 lbs (2.5 kg)  
 Center of gravity: center of lid

**Detent Torque Adjustment Feature**



Make sure the torque adjustment amount is the same on both sides by using the blue line on the nut and plate as a guide.

**90° Angle Regulation Plate (Optional)**



Please see video for mounting instructions and use.

| No. | Part Name                | Material                         | Finish          |
|-----|--------------------------|----------------------------------|-----------------|
| ①   | Fixed Board              | 304 Stainless Steel              | Barrel Polished |
| ②   | Base                     | 430 Stainless Steel              | Barrel Polished |
| ③   | Tilt Shaft               | 303 Stainless Steel              |                 |
| ④   | Swivel Shaft             |                                  |                 |
| ⑤   | Tilt Spring              | Stainless Steel                  | -               |
| ⑥   | Torque Adjustment Nut M6 |                                  |                 |
| ⑦   | Cap                      | Polyvinyl Chloride Plastic (PVC) |                 |

**Body**

| Item No.     | Tilt Direction                     |                             | Swivel Direction              |                           | Weight (g) | Box (pcs) | Carton (pcs) |
|--------------|------------------------------------|-----------------------------|-------------------------------|---------------------------|------------|-----------|--------------|
|              | Assist Torque                      | Retaining Torque            | Click Release Torque          | Torque                    |            |           |              |
| HG-TAJ40SC20 | 30.9 ~ 39.8 lbs·in (3.5 ~ 4.5 N·m) | 0 ~ 35.4 lbs·in (0 ~ 4 N·m) | 30.9±20% lbs·in (3.5±20% N·m) | 17.7 lbs·in (2.0±20% N·m) | 480        | 1         | 20           |

**90° Angle Regulation Plate (Optional)**

| Item No. | Material            | Weight (g)/ set |
|----------|---------------------|-----------------|
| HG-SC-ST | 430 Stainless Steel | 26.3            |