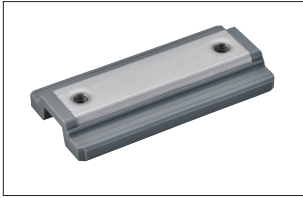


MINI GUIDE RAIL



MRS40, MR-40CS



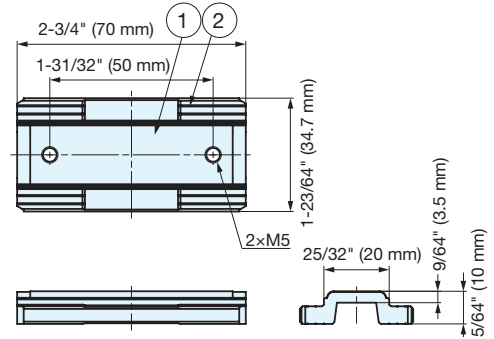
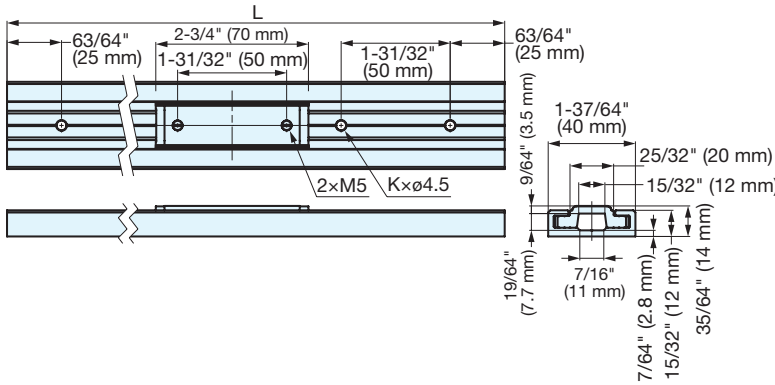
MRS-40CS

- Polyethylene resin with excellent sliding properties eliminates the need for grease or oil.
- Polyethylene resin has a high chemical resistance.
- UL94 HB grade flame resistance.
- Block and rail sold separately.



MRS40

Combination Dimensions for Guide Rail & Carriage



No.	Material	Finish
①	High Sliding Grade Polyethylene	Grey
②	304 Stainless Steel	Plain

■ Block

Item No.	Weight (g)	Box (pcs)	Carton (pcs)
MR-40CS	1	150	1000

■ Rails

Item No.	L	Number of Holes	Material	Finish	Weight (g)
MRS40-400	15-3/4" (400 mm)	8	Aluminium Alloy	Silver Anodized	236
MRS40-800	31-1/2" (800 mm)	16			472
MRS40-1200	47-1/4" (1200 mm)	24			708
MRS40-2000	78-47/64" (2000 mm)	40			1180