

DAMPER UNIT (FOR S-ATJ AND S-ATJD)

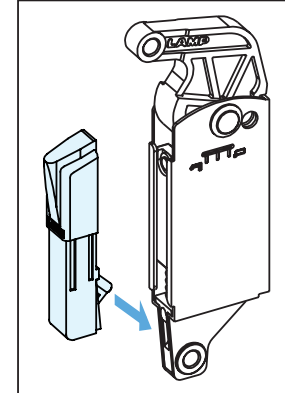


S-ATD

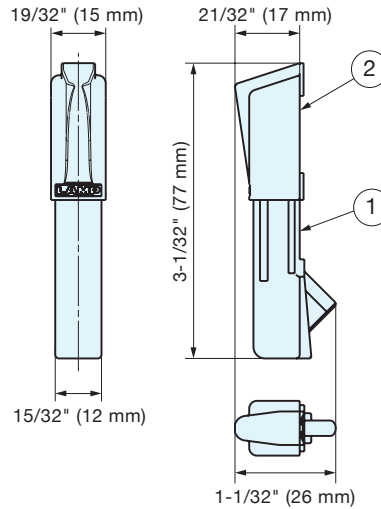


- Soft-close damper designed for use with the S-ATJ & S-ATJD.
- Easy to install.
- Available in two strengths.

One Step Installation



When attached to the S-ATJD



No.	Part Name	Material
①	Damper Case	POM
②	Slider	PBT

Item No.	Damper Case Color	Damper Resistance	Weight (g)	Box (pcs)	Carton (pcs)
S-ATD-20	Gray	Light Duty	15	50	200
S-ATD-30	Black	Heavy Duty			

LID SUPPORTS

SPRING LOADED LID STAYS