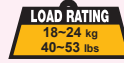


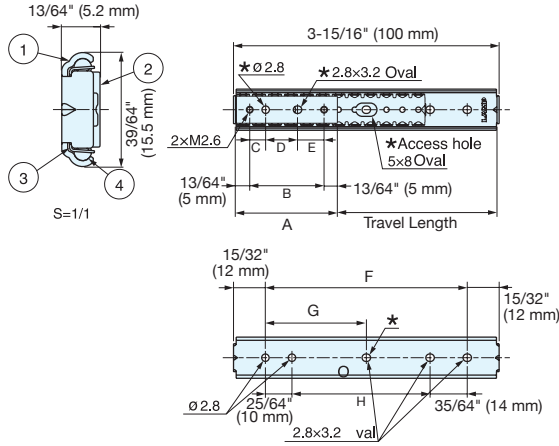
STAINLESS STEEL MINI GUIDE



SCRL2-15S

DRAWER SLIDES

STAINLESS STEEL MINI SLIDES



- Compact and slim profile allows the guide to be used for small and tight applications.
- SCRL2-15S-80A 3-1/8" (80mm) do not have holes indicated with (★)



No.	Part Name	Material
①	Outer Rail	304 Stainless Steel
②	Inner Rail	
③	Retainer	
④	Balls	440 Stainless Steel

Item No.	Slide Length	Travel Length	A	B	C	D	E	F	G	H	Load Capacity /pair	Weight (g) /pc	Box (pcs)	Carton (pcs)
SCRL2-15S-80A	3-1/8" (80 mm)	1-7/8" (49 mm)	28	18	-	-	-	56	-	32	39.6 lbs (18 kg)	16	50	200
SCRL2-15S-100A	3-15/16" (100 mm)	2-5/16" (59 mm)	38	28	6	12	10	76	38	52	46.2 lbs (21 kg)	20		
SCRL2-15S-150A	5-7/8" (150 mm)	4-5/16" (109 mm)						126	63	102		29		
SCRL2-15S-200A	7-7/8" (200 mm)	5-7/8" (149 mm)	48	38	10	14	14	176	88	152	52.9 lbs (24 kg)	38		