

# Installation Manual

## SWING LIFT UP SLUL

Thank you for using our product. Before installation, please read this manual thoroughly to ensure correct installation. Please keep this manual at hand for future reference.

### ABOUT THE PRODUCT

- Stay with lift assist function and soft close function.
- The door can be adjusted up and down, left and right, and its angle can be adjusted.



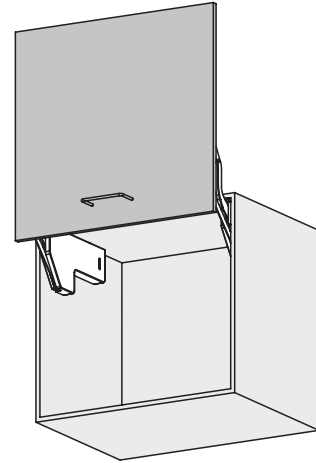
Product Info

### SPECIFICATION

Door Weight	11 - 24 lbs (5 - 11 kg <sup>*1</sup> )
Door Height	21-5/8" - 35-7/16" (550 - 900 mm)
Door Width	Max. 35-7/16" (900 mm)
Door Stroke	24-1/8" (613 mm)
Operating Temperature	32 - 104° F (0 - 40° C <sup>*2</sup> )

<sup>\*1</sup> Door weight includes the handle.

<sup>\*2</sup> Cannot be used for heating equipment such as ovens.



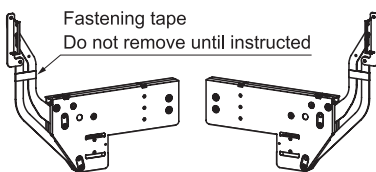
### FOR YOUR SAFETY AND CORRECT INSTALLATION

- Caution   
 Prohibited   
 Required

#### **Caution** If not followed, injury or damage may result.

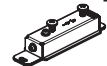
- Always use this product with both the left and right stay sets.
- Always mount the handle so that it is horizontally centered and hold the handle when opening and closing the door.
- Install on a cabinet that can withstand the weight and impact of opening and closing the door. Be sure to use the specified screws and tighten them securely. If the mounting strength is insufficient, the door may fall and cause injury.
- Follow the specified dimensions, specifications, and alignment of each part. Warping, tilting or twisting of the plate may cause malfunction and damage.
- This product is a hardware component for furniture. After installation, check the functionality and safety of the final product. Also, caution users to use the furniture safely.
- Make sure to check the screws for slack at regular intervals (one month from first usage, half a year, and then one time every year is recommended).
- To clean, wipe with a diluted and mild cleaner. Organic solvents such as alcohol and thinner can damage the product and should not be used.
- Do not attempt to open the door wider than its maximum opening position or operate the door with more force than necessary. It may cause malfunction and damage.
- Do not use this product for any other purpose, or with doors that are outside the specifications of this manual.
- Do not disassemble or modify any parts other than those described in this document.
- Be careful to avoid finger entrapment in the arm area.
- In the event of a problem with the damper function, only the damper part will be replaced.

### COMPONENT PARTS



Fastening tape  
Do not remove until instructed

① Body set  
Left: 1 pc., Right: 1 pc.



② Mounting plate: 2 pcs.



③ Countersunk head tapping screw 3.5X 45  
(For body mounting): 12 pcs.

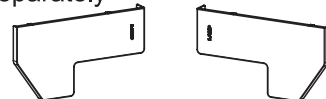
Item No.	Door Weight <sup>*3</sup>
SLUL-8	11 - 17.6 lbs (5 - 8 kg <sup>*1</sup> )
SLUL-11	17.6 - 24 lbs (8 - 11 kg <sup>*1</sup> )

<sup>\*3</sup> Door weight includes the handle.



④ Bind head tapping screw  
3.5 x 15 (for fastening mounting plate): 4 pcs.

#### ■ Sold separately



⑤ Body cover set  
Left: 1 pc., Right: 1 pc.



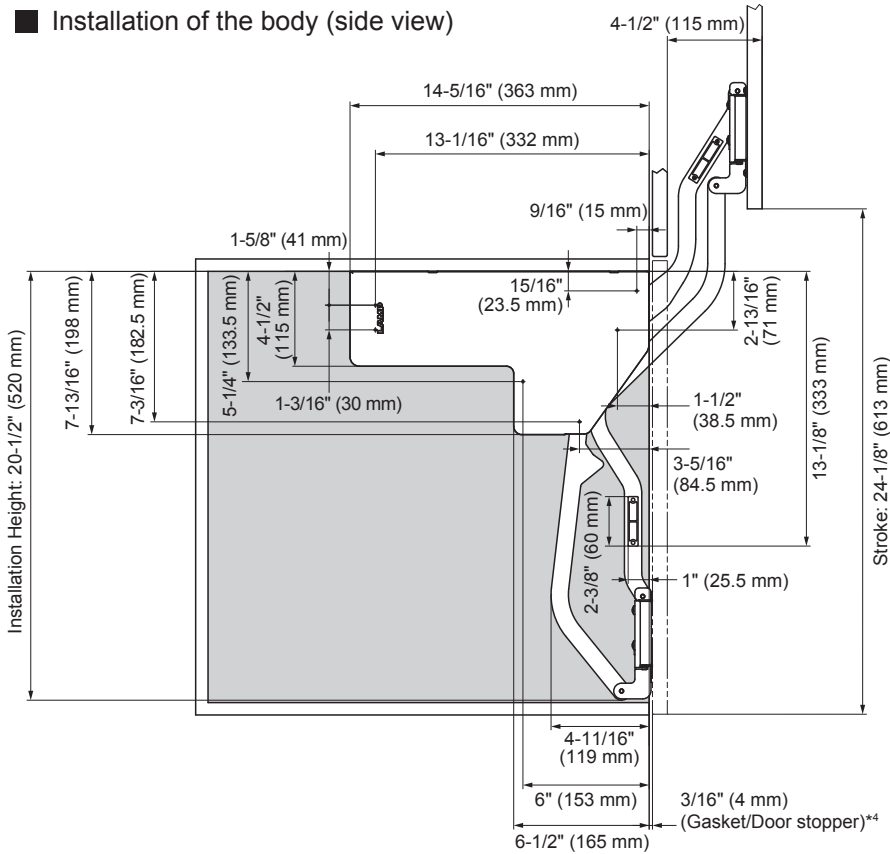
⑥ Connecting bar: 1  
SLUL-B535: For door width 600  
SLUL-B685: For door width 750  
SLUL-B835: For door width 900



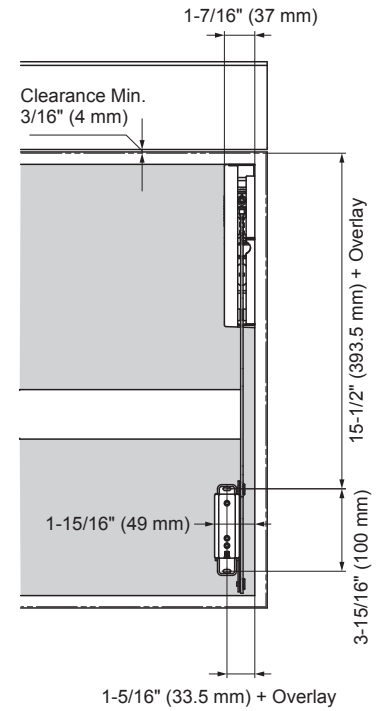
Countersunk head tapping screw  
4.5 X 16 (included)  
(For fastening connecting bar): 4 pcs.

# DIMENSION DRAWING

## Installation of the body (side view)



## Installation of the mounting plate (front view)



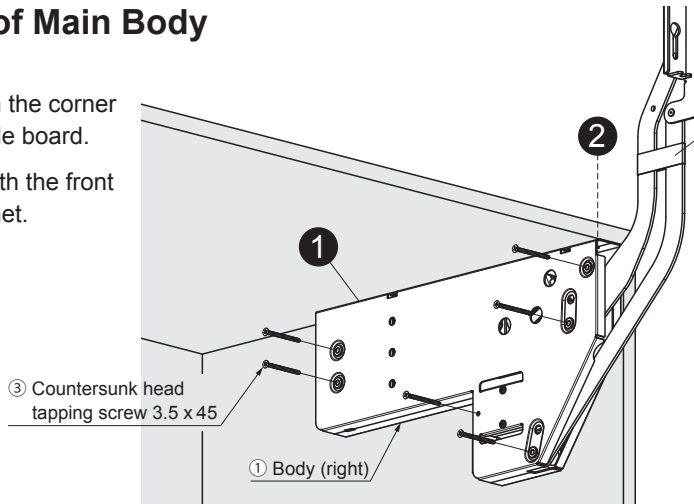
\*4 If not in use, shift the body to the 3/16" (4 mm) back plate side.

# INSTALLATION PROCEDURE

\* Instructions are for the right-side stay.

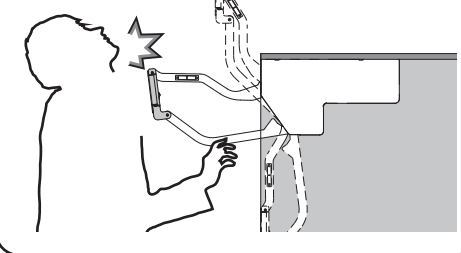
## 1 Mounting of Main Body

- 1 Place the body in the corner of the top and side board.
- 2 Align the body with the front edge of the cabinet.



### Warning

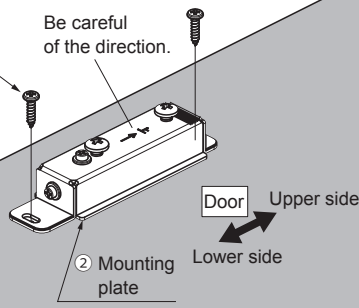
- 1 Do not remove the fastening tape until the door is mounted. The door may rebound and cause injury.



## 2 Mounting of Mounting Plate

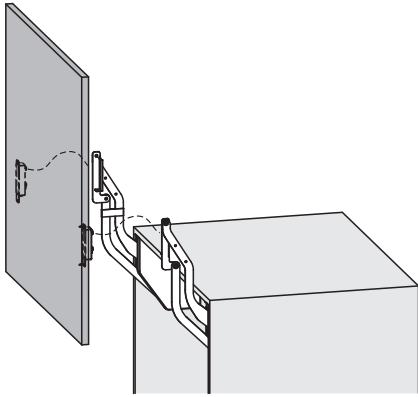
4 Bind tapping screw 3.5 x 15

Be careful of the direction.

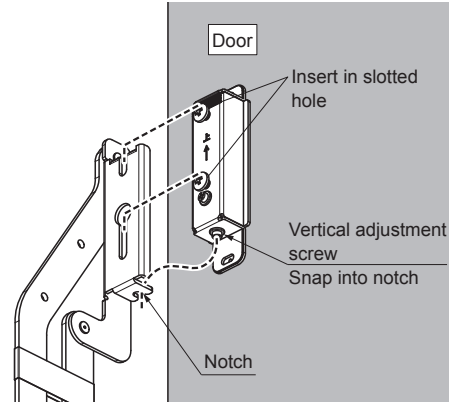


\* If the board material is hard, make preholes beforehand.

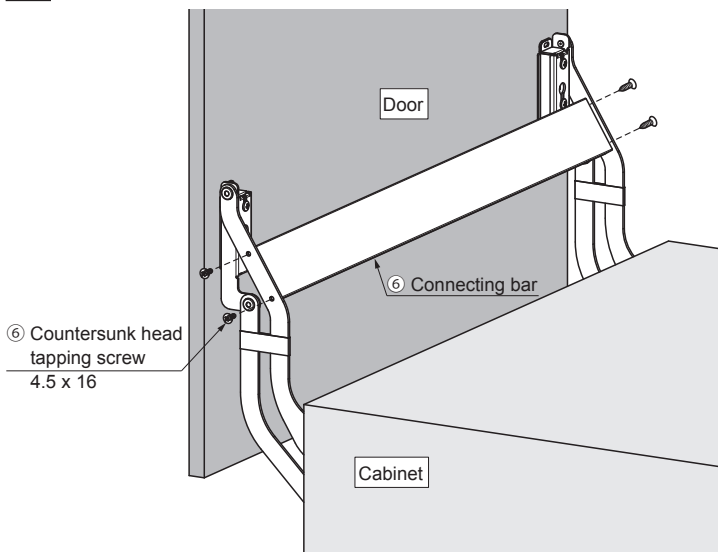
### 3 Installing the Door



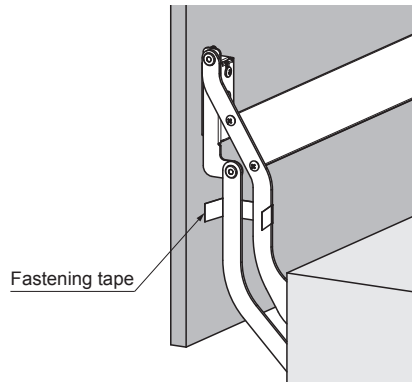
Make sure the screws are in the holes and notch.



### 4 Mounting the Connecting Bar

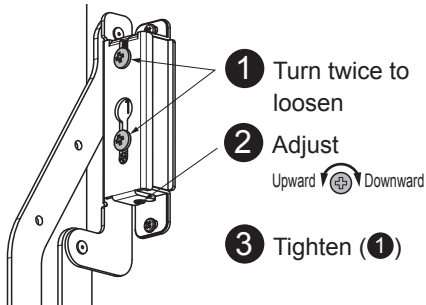


After installing the connecting bar, remove the fastening tape

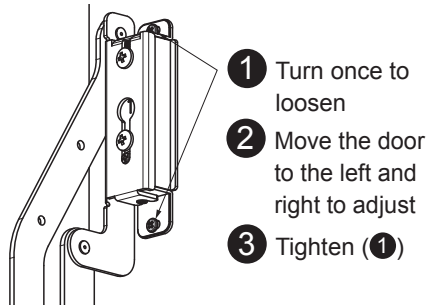
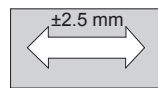


### 5 Adjusting the Door Position

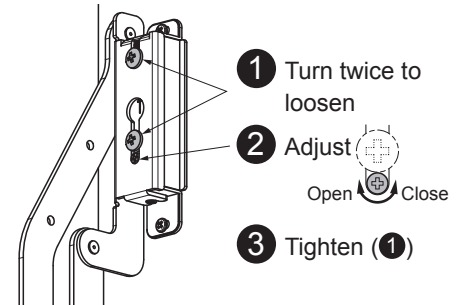
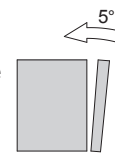
Vertical adjustment



Horizontal adjustment



Angle

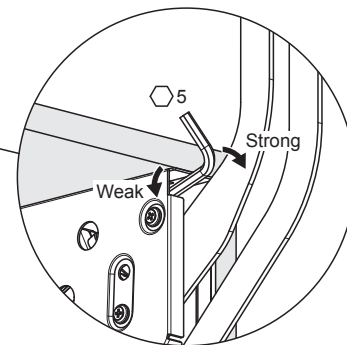
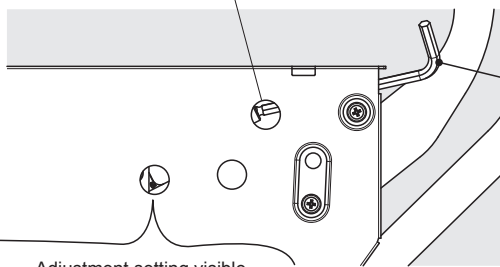


## 6 Adjusting the Lift-assist Force

### Caution

- The lift-assist force for both the left and right stays must be the same.

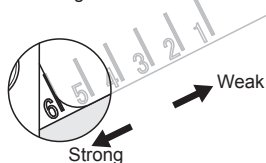
Use to view insertion of wrench.



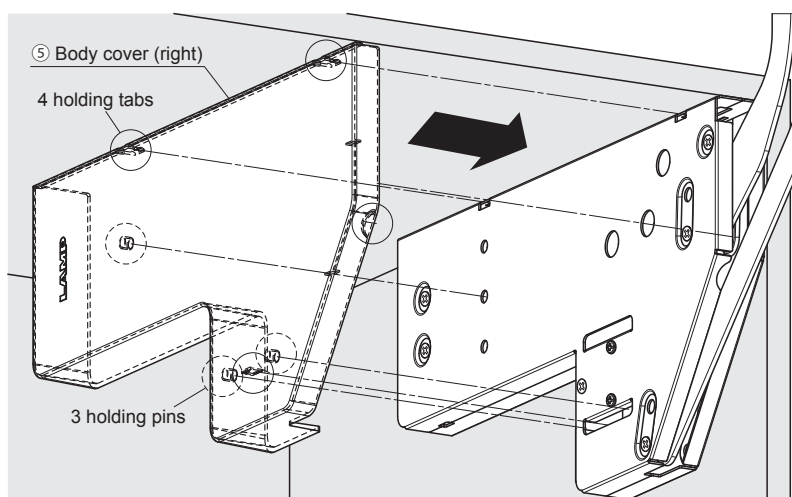
### Standard

Scale	Door Weight	
	SLUL-8	SLUL-11
6	17.6 lbs (8 kg)	24 lbs (11 kg)
5	16.5 lbs (7.5 kg)	22 lbs (10 kg)
4	15.4 lbs (7 kg)	19.8 lbs (9 kg)
3	14.3 lbs (6.5 kg)	18.7 lbs (8.5 kg)
2.5		17.6 lbs (8 kg)
2	13.2 lbs (6 kg)	
1	11 lbs (5 kg)	

Adjustment setting visible through hole.



## 7 Mounting the Body Cover



## 8 Removing the Body Cover

